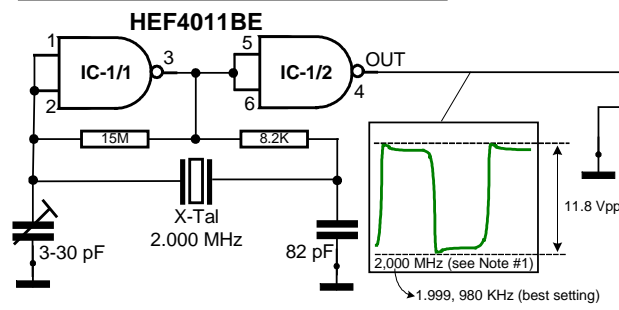


### 2 MHz X-Tal Master Oscillator

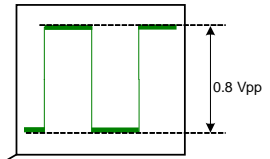
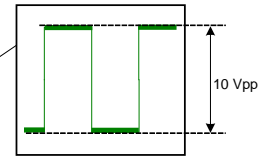
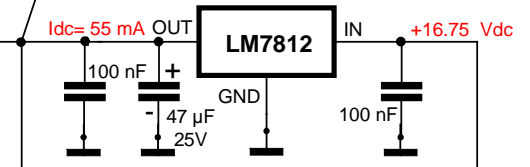
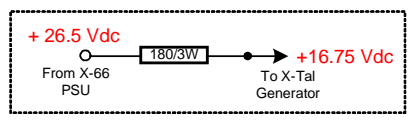
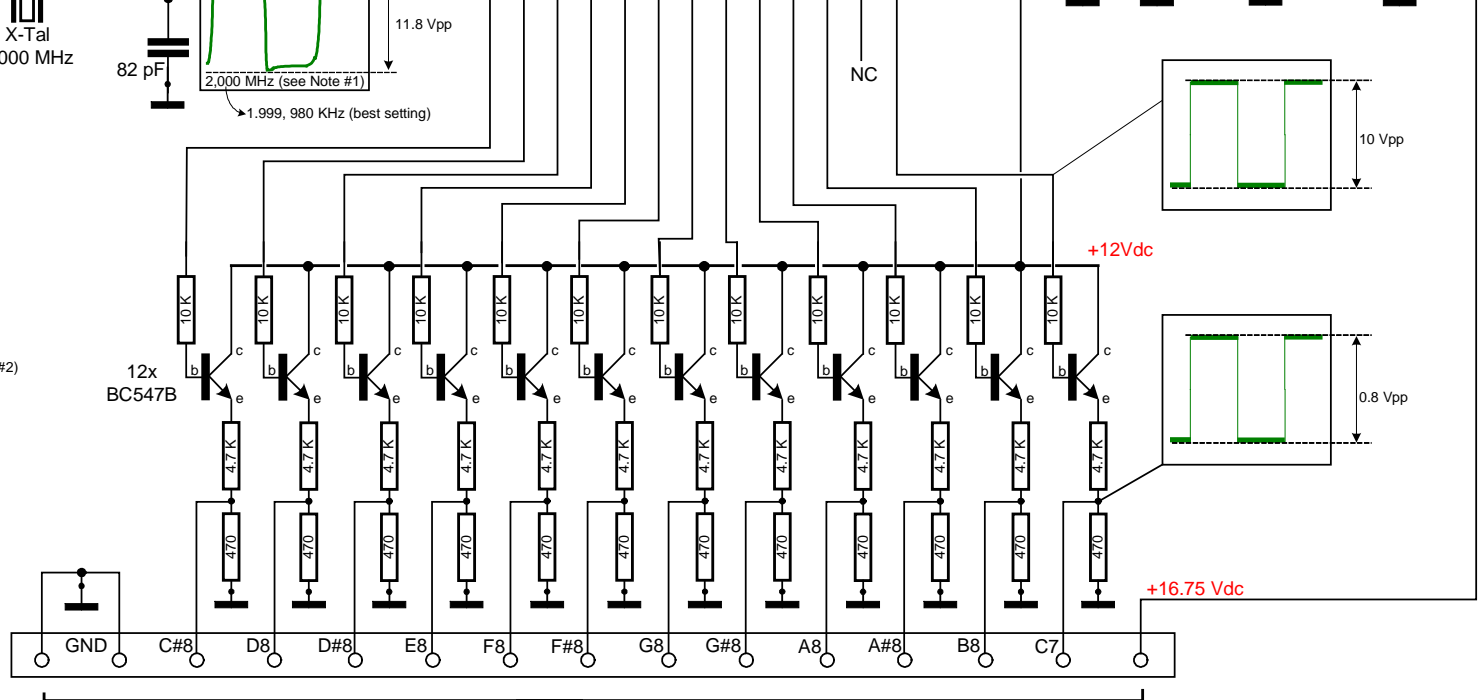
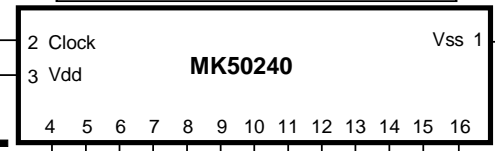


### TOS Freq. Output

- 4- 4.434,544 Hz
- 5- 4.694,787 Hz
- 6- 4.975,073 Hz
- 7- 5.276,991 Hz
- 8- 5.586,535 Hz
- 9- 5.917,099 Hz
- 10- 6.269,529 Hz
- 11- 6.644,451 Hz
- 12- 7.042,182 Hz (see Note #2)
- 13- 7.462,612 Hz
- 14- 7.905,059 Hz
- 15- 8.368,114 Hz
- 16- 4.184,057 Hz



### Top-Octave Synthesizer IC



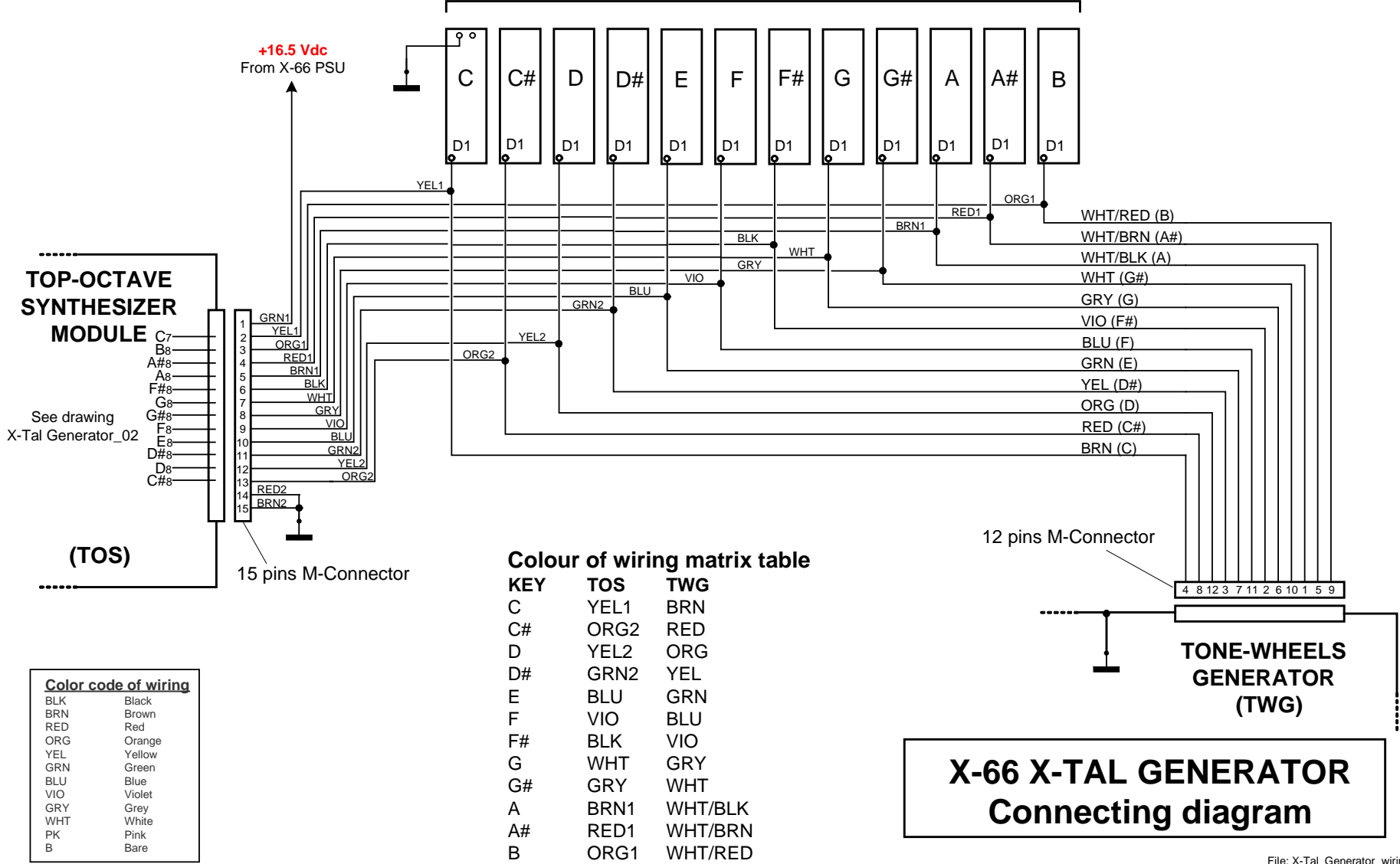
To synchronizer inputs  
(refer to wiring diagram for details)

### X-66 X-TAL GENERATOR

### Notes:

- #1: Frequency of X-Tal oscillator should be adjusted as near as possible to 1.999,360 KHz in order to provide exactly A - 440,000 Hz.
- #2: Measured frequency of A fundamental is 440,1364 Hz with this sample of quartz.

Frequency Dividers AO-28967



**TOP-OCTAVE SYNTHESIZER MODULE**

See drawing X-Tal Generator\_02

(TOS)

+16.5 Vdc  
From X-66 PSU

15 pins M-Connector

12 pins M-Connector

**TONE-WHEELS GENERATOR (TWG)**

**X-66 X-TAL GENERATOR  
Connecting diagram**

**Color code of wiring**

BLK	Black
BRN	Brown
RED	Red
ORG	Orange
YEL	Yellow
GRN	Green
BLU	Blue
VIO	Violet
GRY	Grey
WHT	White
PK	Pink
B	Bare

**Colour of wiring matrix table**

KEY	TOS	TWG
C	YEL1	BRN
C#	ORG2	RED
D	YEL2	ORG
D#	GRN2	YEL
E	BLU	GRN
F	VIO	BLU
F#	BLK	VIO
G	WHT	GRY
G#	GRY	WHT
A	BRN1	WHT/BLK
A#	RED1	WHT/BRN
B	ORG1	WHT/RED